

Rotary Switch Lock

Medeco's rotary switch lock is designed for use with most brands of rotary switches, providing maximum versatility in systems requiring multiple switch functions. Switch locks are available with a variety of key withdrawals at either 45 degrees or 30 degree increments. Positive stops are available to eliminate over-torquing of switch stops. Switch locks use a five pin cylinder to maximize keyed different and master keying capabilities. Medeco design and engineering resources are available to assist customers with special functional requirements.



The Medeco³ unique design provides triple locking action, making the locks virtually pickproof. All Medeco³ keys and locks are protected under patent trademark and copyright laws. Medeco³ keys may only be duplicated by Medeco or an authorized Medeco Service Center, and only at your request.

Benefits:

- ▼ Hardened stainless steel inserts inside the cylinder provide the ultimate defense against drill, pull, punch, and other forms of physical attack on the cylinder.
- ▼ Unique elevating and rotating tumbler pin system is virtually pick proof.
- ▼ Patented Medeco³ keys may only be duplicated by Medeco or an authorized Medeco Service Center, and only at your request.
- ▼ Medeco switch locks can be re-keyed by authorized Medeco Service Centers in case of lost or stolen keys.
- ▼ Medeco switch locks can be keyed in with other 60 series products (10 series products may be keyed into existing 60 series systems.)
- ▼ Locks can be keyed alike, keyed different, or master keyed depending on your specific needs.

Applications:

Medeco rotary switch locks can be used to retrofit many rotary switch lock applications including:

- | | |
|-----------------------------|--------------------|
| Heavy Power Machinery | Encryption Devices |
| Time Delay Safes | Alarms |
| Material Handling Equipment | Control Panels |
| Construction Vehicles | ATMs |
| Electrically Accessed Gates | |
| Cash Control Systems | |

Certification:

Lock - UL[®] 437 Listed
Switch - UL Registered, CSA Certified

Warranty:

Warranted for two years against manufacturer's defects. See Medeco limited Warranty for full details.

Technical Information:

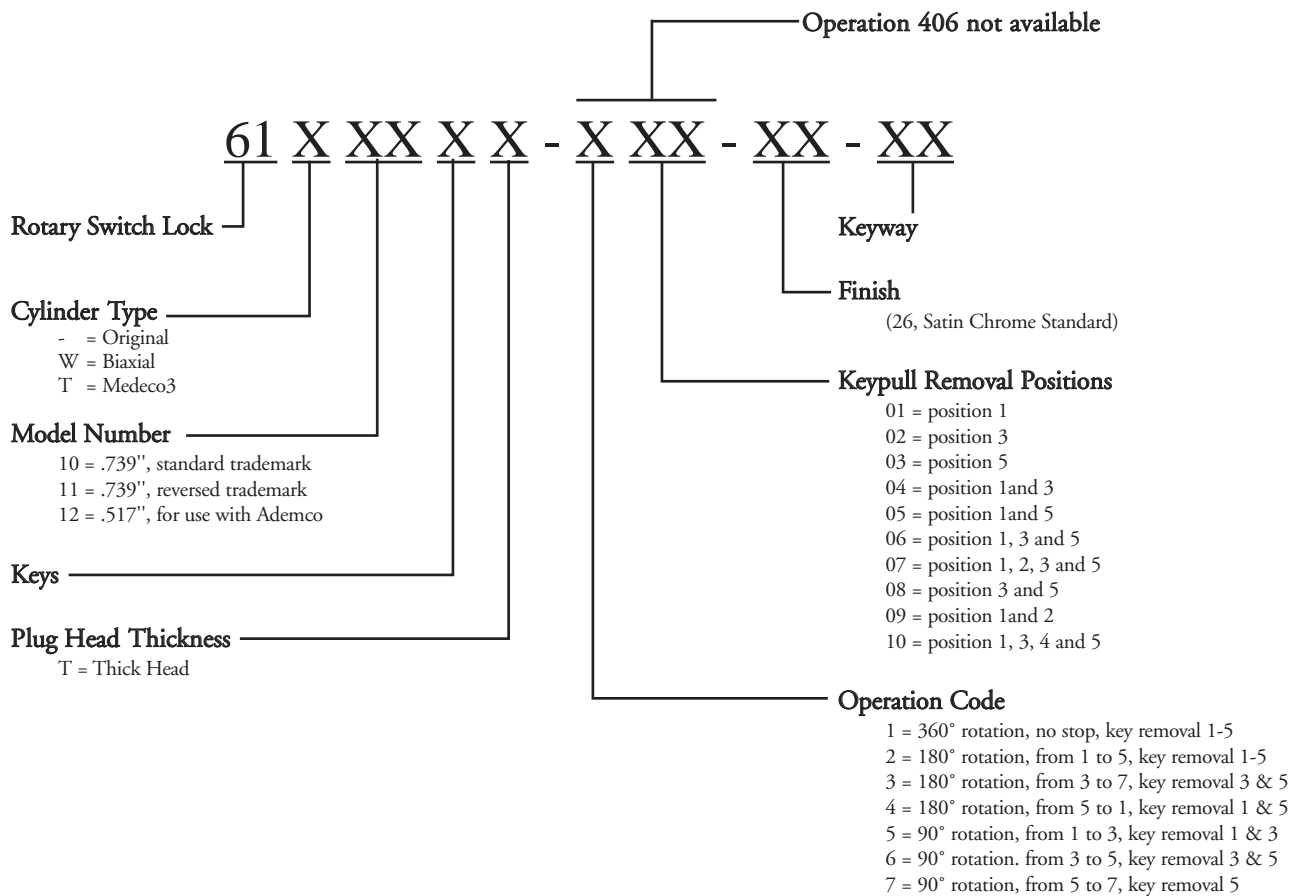
Five pin, 3/4" single "D" mounting standard.

Available in 90, 180 or 360 degree rotations with key removal positions as required (see catalog).

Finishes:

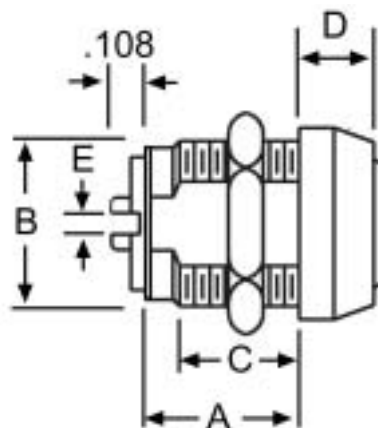
26 Satin chrome finish standard.

Ordering Instructions

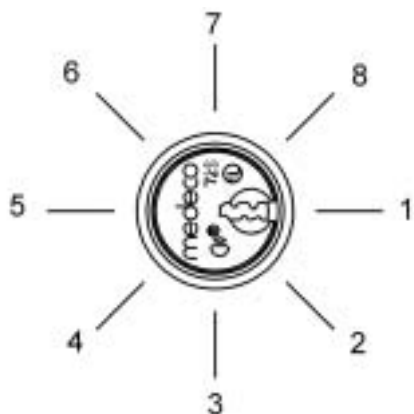


Technical Drawings

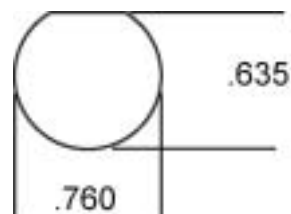
ROTARY SWITCH LOCKS



Cylinder Type	A	B	C	D	E	Features
10	.739 18.77 mm	.75 19.05 mm	.584 14.83 mm	.337 8.30 mm	.094 19.05 mm	Trademark
11	.739 18.77 mm	.75 19.05 mm	.584 14.83 mm	.337 8.30 mm	.75 19.05 mm	Trademark Reversed
12	.517 13.13 mm	.692 17.57 mm		.515 13.08 mm	.962 17.57 mm	For use with Ademco Switch ONLY



Suggested Mounting Dimensions



Operation Code	Degree of Rotation	Clockwise		Standard Key Removal Available In Position
		From Position	To Position	
1	360°			1 thru 5
2	180°	1	5	1 thru 5
3	180°	3	7	3 and 5
4	180°	5	1	1 and 5
5	90°	1	3	1 and 3
6	90°	3	5	3 and 5
7	90°	5	7	5 only