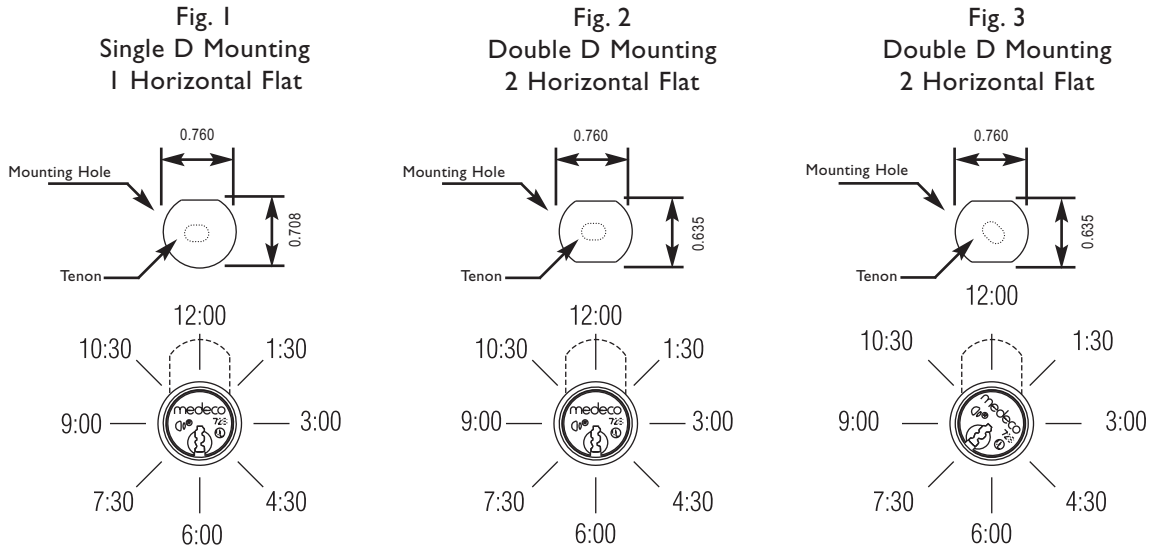


Mounting Detail & Operation Codes

Keyway and tenon shown in locked positions relative to mounting flats. Exceptions - 149 and 249 functions, rotate 90° clockwise for locked positions.



Cylinders shown in locked positions.

Table 2

Operation Code	# of Mounting Flats	Reference Fig.	Direction	Keyway Rotation			# of Keypulls
				Travel	Locked	Unlocked	
119	1	1	Clockwise	90°	6:00	9:00	1
129	1	1	Clockwise	90°	6:00	9:00	2
139	1	1	Counterclockwise	90°	6:00	3:00	1
149	1	1	Counterclockwise	90°	9:00	6:00	2
159	1	1	Clockwise	180°	6:00	12:00	1
169	1	1	Clockwise	180°	6:00	12:00	2
179	1	1	Counterclockwise	180°	6:00	12:00	1
189	1	1	Counterclockwise	180°	6:00	12:00	2
219	2	2	Clockwise	90°	6:00	9:00	1
229	2	3	Clockwise	90°	7:30	10:30	2
239	2	2	Counterclockwise	90°	6:00	3:00	1
249	2	3	Counterclockwise	90°	10:30	7:30	2
259	2	2	Clockwise	180°	6:00	12:00	1
269	2	2	Clockwise	180°	6:00	12:00	2
279	2	2	Counterclockwise	180°	6:00	12:00	1
289	2	2	Counterclockwise	180°	6:00	12:00	2



Cam Locks - Removable Core

Medeco® high security cam locks are also available with a removable core feature. This feature allows cores to be changed out in seconds, to provide an entirely new keying combination. For applications that may require instantaneous re-keying due to lost or stolen keys, or where periodic re-keying is done as a matter of good business practice, Medeco removable core cam locks save valuable time and money. Removable core cam locks offer the same high security features of a Medeco cam lock with the convenience of a removable core.



The Medeco³ unique design provides triple locking action, making the locks virtually pick proof. All Medeco³ keys and locks are protected under patent, trademark, and copyright laws. Medeco³ keys may only be duplicated by Medeco or by an authorized Medeco Service Center, and only at your request.

Benefits:

- ▼ Removable cores can be changed out in seconds to provide a new, secure keying combination.
- ▼ All Medeco cylinders are constructed of durable machined brass components, designed to last the life of your equipment.
- ▼ Hardened stainless steel inserts inside the cylinder provide the ultimate defense against drilling and other forms of physical attack.
- ▼ Unique elevating and rotating tumbler pin system is virtually pick proof.
- ▼ Patented Medeco³ keys may only be duplicated by Medeco or authorized Medeco Service Center, and only at your request.
- ▼ Medeco cam locks can be keyed in with other 60 series products (10 series products may be keyed into existing 60 series systems)
- ▼ Locks can be keyed alike, keyed different, or master keyed depending on your specific needs.
- ▼ Available in various lengths and rotations

Warranty:

Warranted for two years against manufacturer's defects. See Medeco limited Warranty for full details

Applications:

Medeco high security removable core cam locks can be used in any standard 3/4" diameter application and a multitude of markets including:

Safe	Banking	Transit
Communication	Utility	Lockers
Alarm	Data Encryption	
Access Control	Cabinet	

Certification:

UL® 437 Listed.

Technical Information:

Four and five pin models available depending on size.

Available in three standard sizes, 1 1/16", 7/8", and 1 1/8".

Two flat models available, key retaining only.

Clockwise or counterclockwise rotation, 90° or 180°.

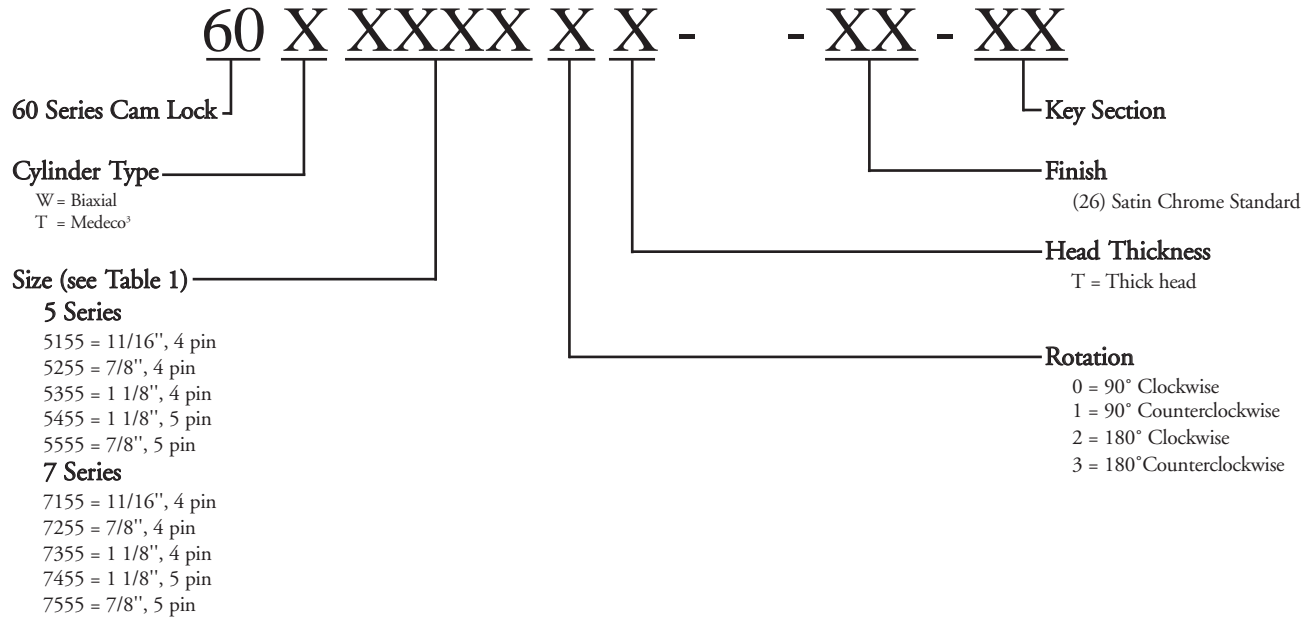
Keyed alike, keyed different, or master keyed.

Finishes:

26 satin chrome finish standard. Other finishes available, depending on volume.

The Medeco cam lock selector is designed to help determine which cam lock is suitable for your application. The selector will take you step by step through the process of picking out a specific cam lock as well as a cam. You may access this tool on our web site at www.medeco.com

Ordering Instructions



What is the difference between 5 and 7 Series locks?

The 7 Series is the latest generation of Removable Core Cam Locks.

The 5 Series locks require a different core for clockwise or counterclockwise applications. If you are adding to an existing system that uses 5 Series locks, we recommend that you continue to order 5 Series product.

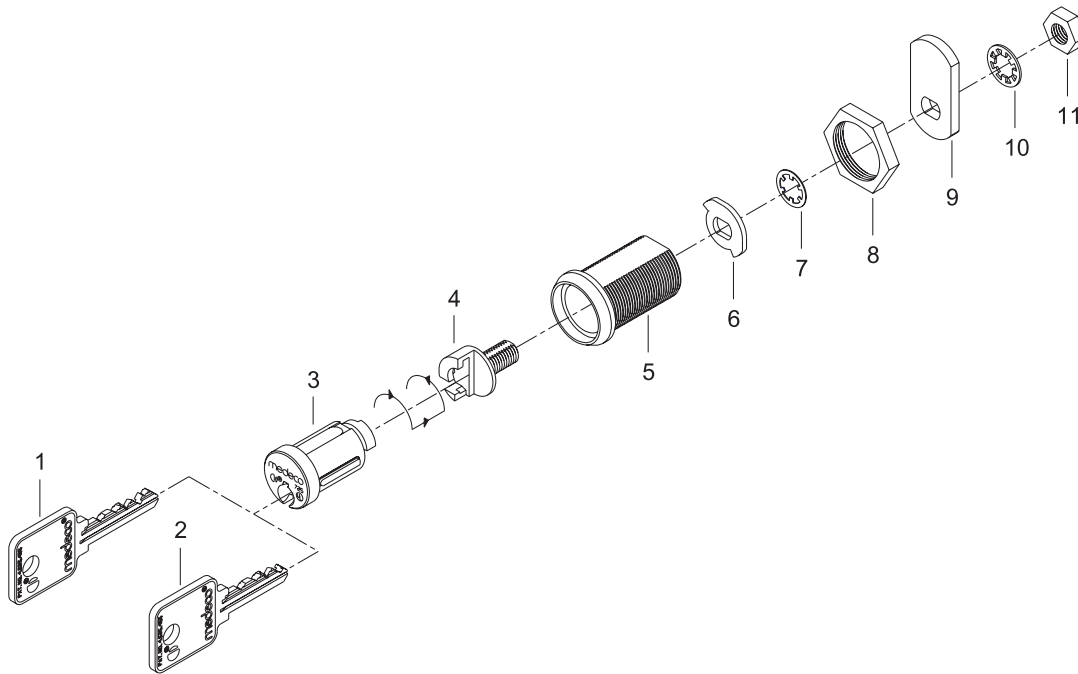
The 7 Series locks use the same core for all applications. If you are ordering product for a new system or application, we recommend the 7 Series. You will never have to worry about selecting the proper core for an application, and you will only have to stock one type of core.

When ordering a complete 5 or 7 Series Cam Lock, you must still specify the rotation so that the actuators and stop washers will be assembled properly. However, all 7 Series locks will use the same replacement core.

Exploded View

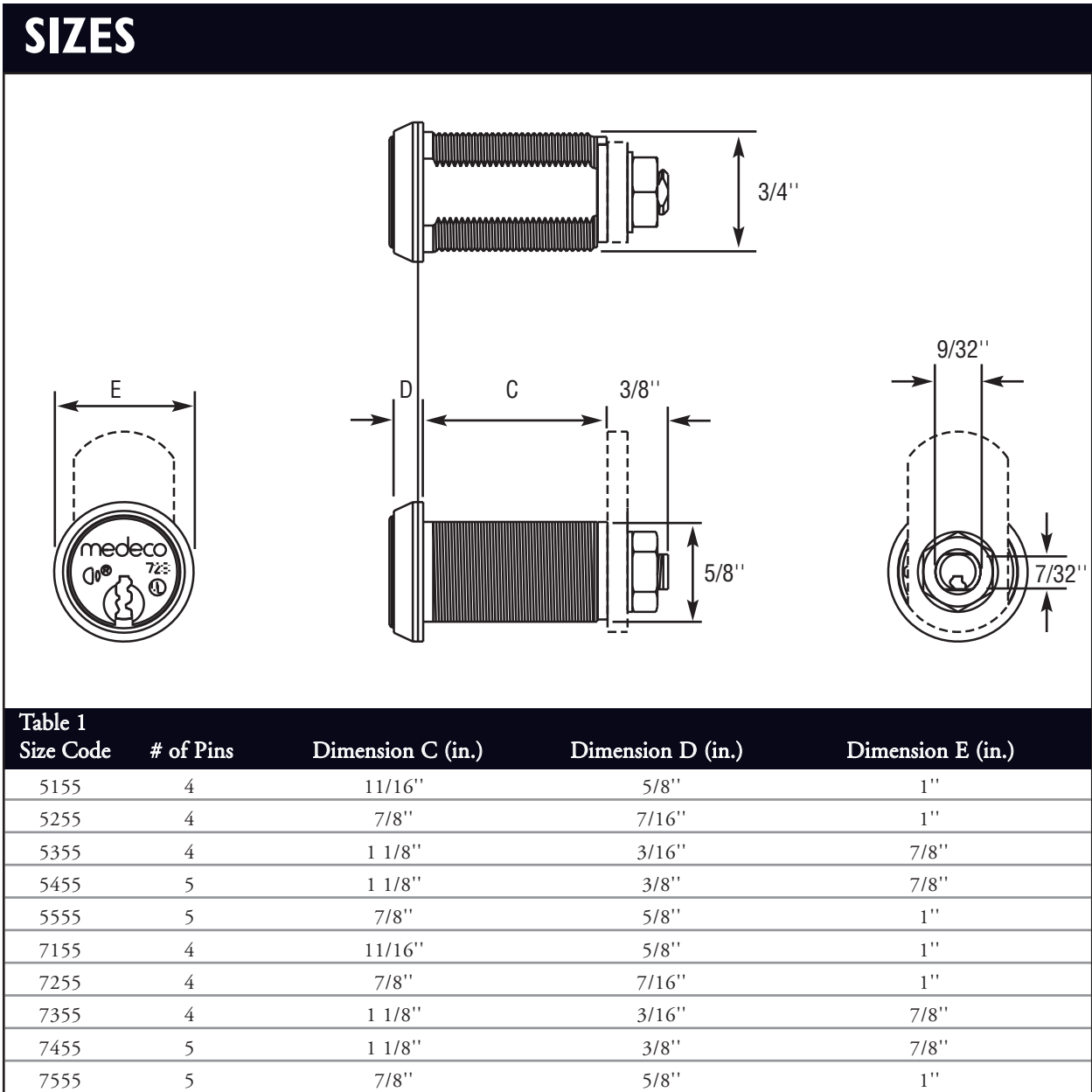
All Medeco® high security removable core cam locks are key retaining only. All Medeco high security removable core cam locks are UL 437 Listed and meet all ANSI A156.11 Grade 1 specifications. All Medeco³® cam locks are thick head. For Original series cam locks, thick head is required to key in with door security products. Medeco 60 series cam locks are sold less keys, specify number of keys required under separate line item. Cams sold separately, reference Cams and Accessories section to select proper cam type.

HIGH SECURITY REMOVABLE CORE CAM LOCKS



ITEM	DESCRIPTION
1	Operating Key (4 Pin key for operating lock)
2	Control Key (5 Pin key for removing plug)
3	Plug Assembly
4	Cam Adaptor
5	Shell
6	Stop
7	Retainer
8	3/4" Nut
9	Cam (sold separately)
10	Lock Washer
11	9/32" Nut

Technical Drawings



Standard sizes described. Consult Medeco® Customer Service for variations not described.