



Cam Locks

Medeco® high security cam locks are recognized throughout the world as the standard for protection in a 3/4" diameter lock. Medeco cam locks utilize hardened, stainless steel inserts throughout the cylinder to provide the ultimate defense against drilling, pulling, and other forms of vandal attack. Patented key control programs prevent the unauthorized duplication of keys and maintain system integrity. Keyed alike, keyed different, or master keyed, Medeco offers a complete line of various cam lock sizes and functions to meet your specific needs.



The Medeco³ unique design provides triple locking action, making the locks virtually pick proof. All Medeco³ keys and locks are protected under patent, trademark, and copyright laws. Medeco³ keys may only be duplicated by Medeco or by an authorized Medeco Service Center, and only at your request.

Benefits:

- ▼ All Medeco cylinders are constructed of durable machined brass components, designed to last the life of your equipment.
- ▼ Hardened stainless steel inserts inside the cylinder provide the ultimate defense against drill, pull, punch, and other forms of physical attack.
- ▼ Unique elevating and rotating tumbler pin system is virtually pick proof.
- ▼ Patented Medeco³ keys may only be duplicated by Medeco or authorized Medeco Service Center, and only at your request.
- ▼ Medeco cam locks are completely serviceable, and can be re-keyed in case of lost or stolen keys
- ▼ Medeco cam locks can be keyed in with other 60 series products (10 series products may be keyed into existing 60 series systems)
- ▼ Locks can be keyed alike, keyed different, or master keyed depending on your specific needs.
- ▼ Available in all standard lengths, key retained or not, one or two flat, and various rotations.

Warranty:

Warranted for two years against manufacturer's defects. See Medeco limited Warranty for full details.

The Medeco cam lock selector is designed to help determine which cam lock is suitable for your application. The selector will take you step by step through the process of picking out a specific cam lock as well as a cam. You may access this tool on our web site at www.medeco.com

Applications:

Medeco high security cam locks can be used in any standard 3/4" diameter application and a multitude of markets including:

Safe	Banking	Transit
Communication	Utility	Laundry
Alarm	Data Encryption	
Furniture	Parking	
Access Control	Locker	Vending
Cabinet	Pay Telephone	

Certification:

UL® 437 Listed

Technical Information:

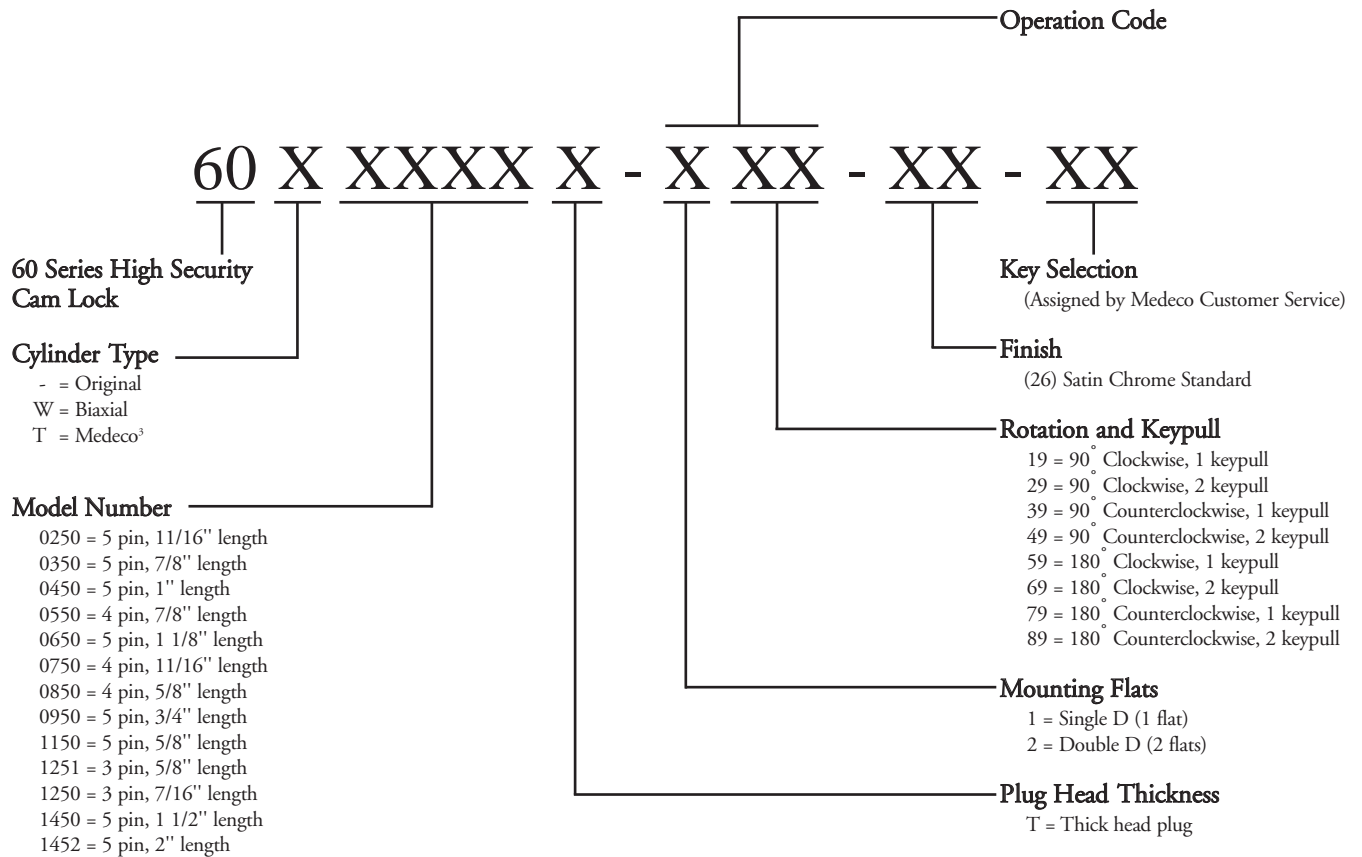
Three, four, and five pin models available depending on size. Available in standard sizes from 7/16" to 2".

One and two flat models available, key retaining or not. Clockwise or counterclockwise rotation, 90° or 180°. Keyed alike, keyed different, or master keyed (four and five pin models) available.

Finishes:

26 satin chrome finish standard. Other finishes available, depending on volume.

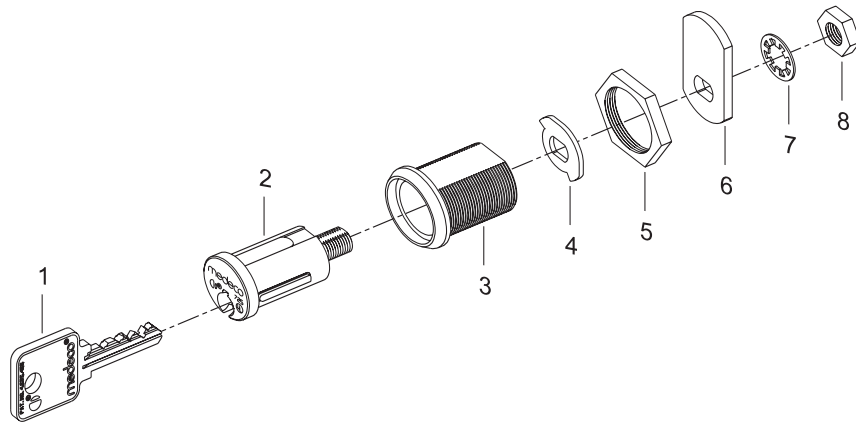
Ordering Instructions



Exploded View

All Medeco® high security cam locks are UL® 437 listed and meet all ANSI A156.11 Grade 1 specifications. All Medeco® cam locks are thick head. For Original cam locks, the thick head is required to key in with door security products. Medeco 60 series cam locks are sold less keys. Specify number of keys under a separate line item. Cams sold separately, reference cams and accessories section to select proper cam type.

HIGH SECURITY CAM LOCK



ITEM	DESCRIPTION
1	Key (sold separately)
2	Plug Assembly
3	Shell
4	Stop
5	3/4" Nut
6	Cam (sold separately)
7	Lock washer
8	9/32" Nut

Technical Drawings

SIZES

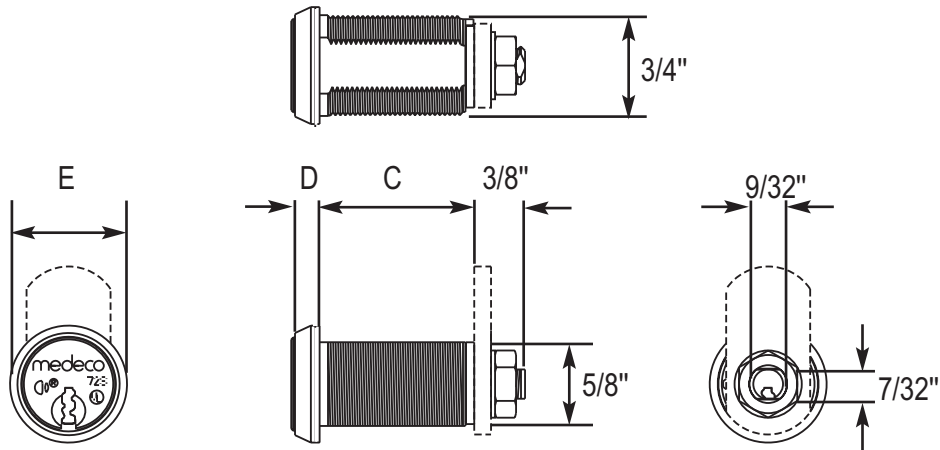


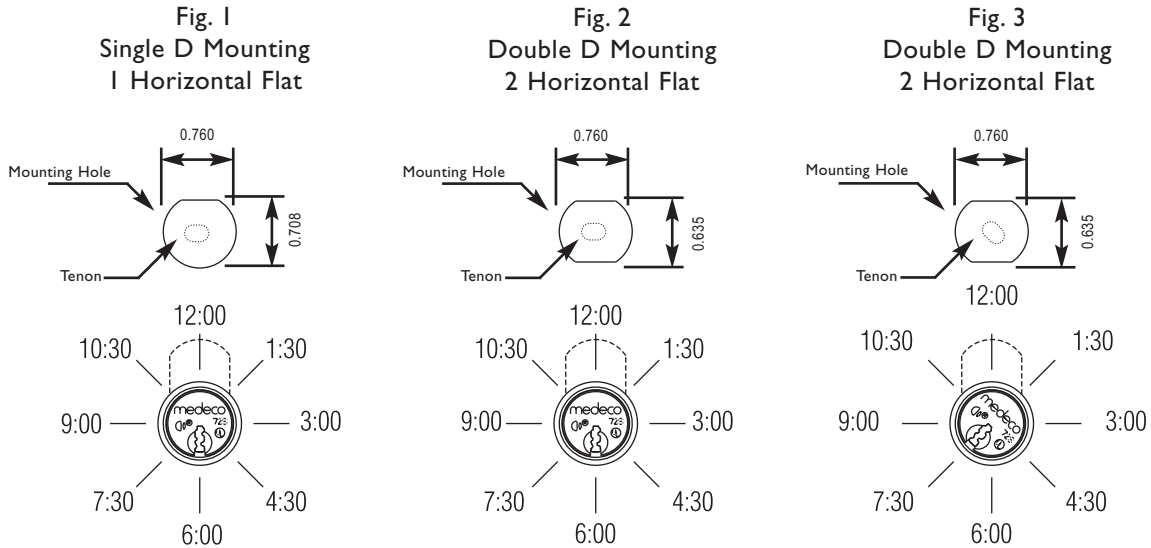
Table 1

Size Code	# of Pins	Dimension C (in.)	Dimension D (in.)	Dimension E (in.)
0250	5	11/16"	7/16"	1"
0350	5	7/8"	5/16"	7/8"
0450	5	1"	3/16"	7/8"
0550	4	7/8"	3/16"	7/8"
0650	5	1 1/8"	3/16"	7/8"
0750	4	11/16"	5/16"	7/8"
0850	4	5/8"	3/8"	7/8"
0950	5	3/4"	3/8"	7/8"
1150	5	5/8"	1/2"	1"
1250	3	7/16"	3/8"	1"
1251	3	5/8"	3/16"	7/8"
1450	5	1 1/2"	3/16"	7/8"
1452	5	2"	5/16"	7/8"

Standard sizes described. Consult Medeco® customer service for variations not described

Mounting Detail & Operation Codes

Keyway and tenon shown in locked positions relative to mounting flats. Exceptions - 149 and 249 functions, rotate 90° clockwise for locked positions.



Cylinders shown in locked positions.

Table 2

Operation Code	# of Mounting Flats	Reference Fig.	Direction	Keyway Rotation			# of Keypulls
				Travel	Locked	Unlocked	
119	1	1	Clockwise	90°	6:00	9:00	1
129	1	1	Clockwise	90°	6:00	9:00	2
139	1	1	Counterclockwise	90°	6:00	3:00	1
149	1	1	Counterclockwise	90°	9:00	6:00	2
159	1	1	Clockwise	180°	6:00	12:00	1
169	1	1	Clockwise	180°	6:00	12:00	2
179	1	1	Counterclockwise	180°	6:00	12:00	1
189	1	1	Counterclockwise	180°	6:00	12:00	2
219	2	2	Clockwise	90°	6:00	9:00	1
229	2	3	Clockwise	90°	7:30	10:30	2
239	2	2	Counterclockwise	90°	6:00	3:00	1
249	2	3	Counterclockwise	90°	10:30	7:30	2
259	2	2	Clockwise	180°	6:00	12:00	1
269	2	2	Clockwise	180°	6:00	12:00	2
279	2	2	Counterclockwise	180°	6:00	12:00	1
289	2	2	Counterclockwise	180°	6:00	12:00	2