



T-Handles & T-Handle Inserts

Medeco's® high security T-handle is the first handle of its type designed specifically to defy forced entry. Conventional die cast construction has been replaced with 300-series stainless steel for the housing and handle components. The housing surrounds the handle to eliminate critical pry points, resist drilling, wrenching and other common forms of physical attack. Rear loading of the lock cylinder, combined with a free spinning hardened steel cover, protects against drilling and pulling.



Medeco's high security T-handle inserts provide most of the same vandal resistant features of the complete Medeco T-handle in an economical retrofit package. 300 Series stainless steel components and drill shields, defy drills, chisels, punches and other common vandal attacks. The lock cylinder loads behind the handle and is protected from drilling and pulling by a free-spinning hardened steel cover.

Special consideration has been given to serviceability. Cylinders can be quickly changed in the field without special tools. Conformance to NAMA dimensional standards provides a wide choice of cylinders to suit individual security needs.

Benefits:

- ▼ Stands up to drilling, prying, wrenching and other forms of physical attack attacks.
- ▼ Free spinning hardened steel cover helps protect lock cylinder against drilling and pulling.
- ▼ Inserts retrofit most vending applications
- ▼ The housing surrounds the handle to eliminate critical pry points.
- ▼ Allows for quick cylinder changes.
- ▼ Supported by Medeco factory authorized Service Centers.

Applications:

T-handles retrofit into most factory machines including soft drink machines where the handle housing is integral to the coin slot hardware. Common applications include vending machines, bill changers and ticket dispensers.

Warranty:

Warranted for two years against manufacturer's defects. See Medeco Limited Warranty for full details.

Technical Information:

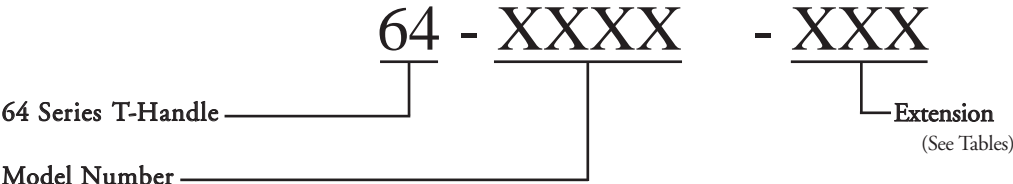
Available with screw type extensions, 360 degree operations.

Available with Cam type standard housing, 90 degree rotation.

Also available is a cam type low profile housing.

Inserts allow for re-use of existing extension shafts and adapt to both quarter turn and screw type applications.

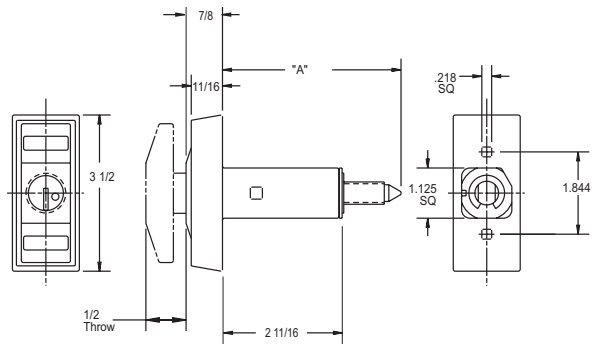
Ordering Instructions



- 3011 = T-Handle, screw type with housing
- 3012 = T-Handle, cam type with housing
- 3014 = T-Handle, cam type with low profile housing
- 3053 = Insert only, screw type, less housing, less extension
- 3054 = Insert only, screw type, less housing
- 3055 = Insert only, cam type, less housing, less extension
- 3056 = Insert only, cam type, less housing

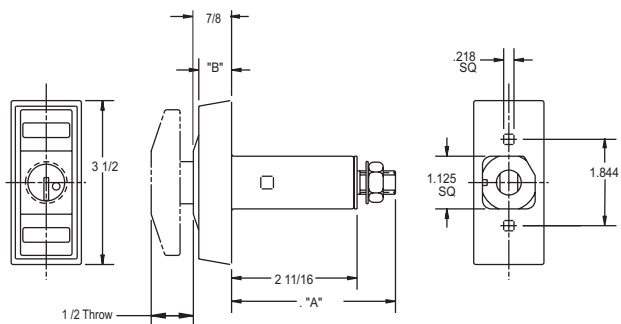
Technical Drawings

SCREW TYPE, 360° T-HANDLE



Part #	A	Thread
64-3011 -000	N/A	N/A
64-3011 -401	4 7/8"	1/2-13 UNC 2A
64-3011 -406	4 1/4"	1/2-13 UNC 2A
64-3011 -505	5 5/8"	1/2-13 UNC 2A
64-3011 -607	6 5/16"	1/2-13 UNC 2A
64-3011 -906	9 3/16"	1/2-13 UNC 2A

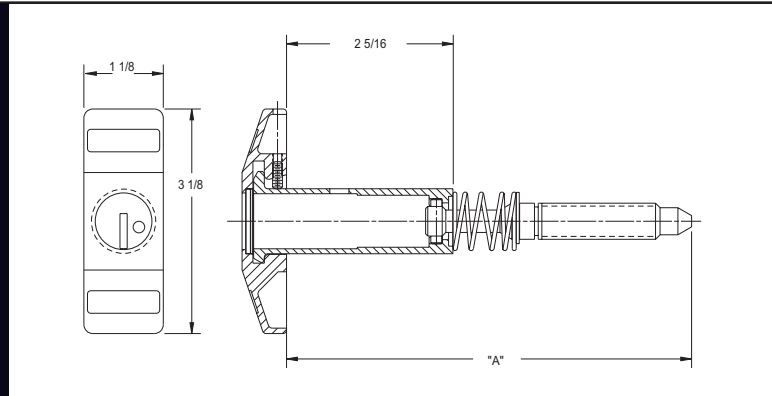
CAM TYPE, 90° T-HANDLE



Part #	B	A	Thread
64-3012 -000	11/16"	N/A	N/A
64-3012 -101	11/16"	3 5/8"	1/2-13 UNC 2A, 3/8" Double D Flats
64-3012 -103	11/16"	4 7/8"	1/2-20 UNF 2A, 7/16" Square Flats
64-3012 -104	11/16"	3 5/8"	1/2-20 UNF 2A, 7/16" Square Flats
64-3014 -000	1/2"	N/A	N/A
64-3014 -101	1/2"	3 5/8"	1/2-13 UNC 2A, 3/8" Double D Flats
64-3014 -103	1/2"	4 7/8"	1/2-20 UNF 2A, 7/16" Square Flats
64-3014 -104	1/2"	3 5/8"	1/2-20 UNF 2A, 7/16" Square Flats

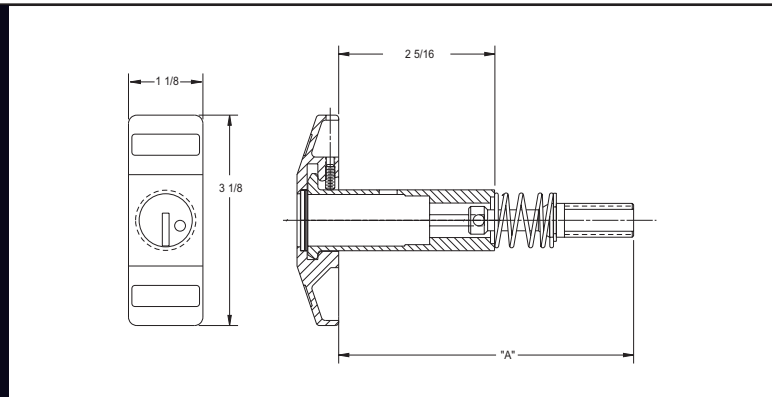
Technical Drawings

SCREW TYPE INSERT ONLY



Part #	A	Thread
64-3053	N/A	N/A
64-3054 -401	5 5/8"	1/2-13 UNC 2A
64-3054 -406	5"	1/2-13 UNC 2A
64-3054 -505	6 3/8"	1/2-13 UNC 2A
64-3054 -607	7 1/16"	1/2-13 UNC 2A
64-3054 -906	9 15/16"	1/2-13 UNC 2A

CAM TYPE INSERT ONLY



Part #	A	Thread
64-3055	N/A	N/A
64-3056 -101	4 3/8"	1/2-13 UNC 2A, 3/8" Double D Flats
64-3056 -103	5 5/8"	1/2-20 UNF 2A, 7/16" Square Flats
64-3056 -104	4 3/8"	1/2-20 UNF 2A, 7/16" Square Flats