



T-Handle Cylinders

Medeco® provides a full range of T-handle cylinders, from general purpose models offering basic key control and pick resistance, to stainless steel bolt and shell models resistant to the most severe forms of vandalism and physical attack. All models may be keyed in together, as well as with other 60 series products, for ease of key management. Medeco has over twenty-five years of experience manufacturing locks for the vending industry, and a proven track record of quality products and long term reliability. Patented key programs prevent the unauthorized duplication of keys and maintain system integrity.



The Medeco³ unique design provides triple locking action, making the lock virtually pick proof. All Medeco³ keys and locks are protected under patent, trademark, and copyright laws. Medeco³ keys may only be duplicated by Medeco or by an authorized Medeco Service Center, and only at your request.

Benefits:

- ▼ Medeco T-handle cylinder bolt and shell are constructed of high density zinc die-cast or stainless steel for higher security applications. Plugs constructed of machined brass with drill resistant, hardened stainless steel inserts.
- ▼ Unique elevating and rotating tumbler pin system is virtually pick proof.
- ▼ Patented Medeco³ keys may only be duplicated by Medeco or authorized Medeco service center, and only at your request.
- ▼ Medeco cylinders are serviceable, and can be re-keyed by authorized Medeco service centers in case of lost or stolen keys.
- ▼ Medeco T-handle cylinders can be keyed in with other 60 series products (10 series products may be keyed into existing 60 series systems).
- ▼ All cylinders retrofit NAMA standard T-handles.

Applications:

Medeco high security T-handle cylinders can be installed in any machine utilizing NAMA standard T-handles. Typical applications include:

- Bill Changers
- Card Dispensing Equipment
- Vending Machines
- Fare Collection Systems

Warranty:

Warranted for two years against manufacturer's defects. See Medeco limited Warranty for full details.

Certification:

UL® 437 Listed

Technical Information:

Four pin standard, five pin available in limited models.

Dead and spring bolt functions available.

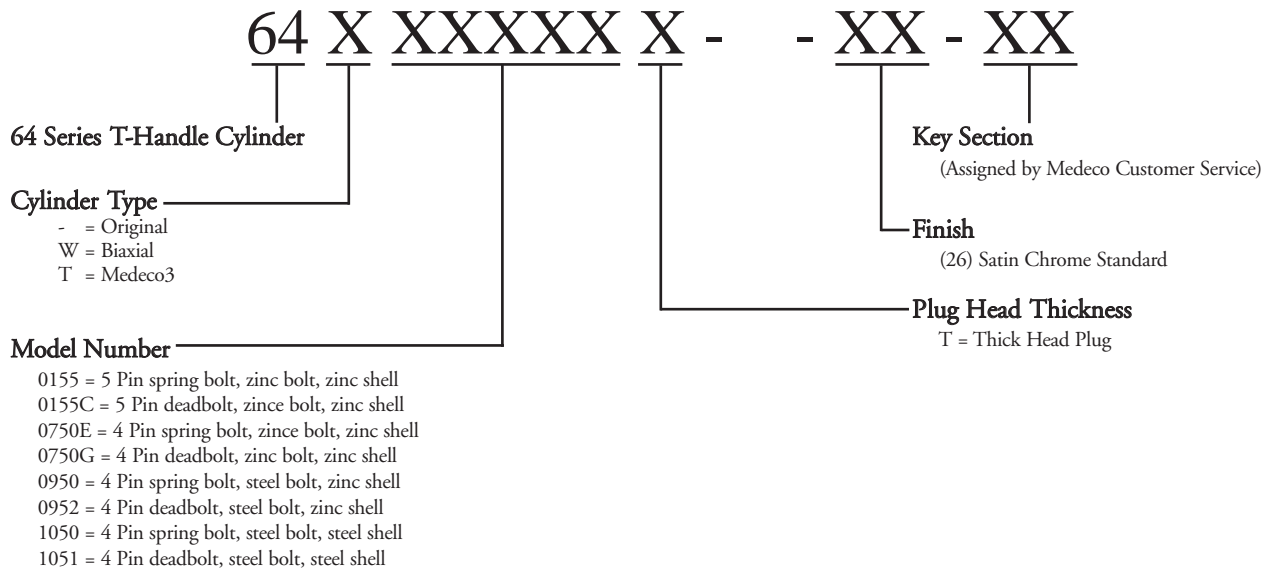
180° rotation to open.

Locks fit all NAMA standard t-handles.

Finishes:

26 satin chrome finish standard.

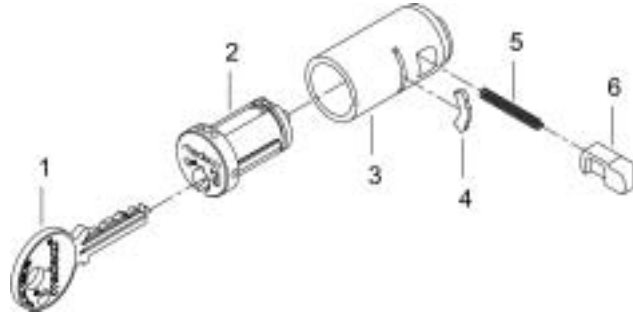
Ordering Instructions



Exploded View

Medeco's® 0155 and 0750 series T-handle cylinders provide solid, general-purpose security, defying surreptitious entry via picking, drilling, and unauthorized key duplication. 0155 series comes in a 5 pin body design to maximize keying potential. 0750 series comes in a stout, 4 pin body style, to better resist physical attack. Both 0155 and 0750 are available in either spring or deadbolt models.

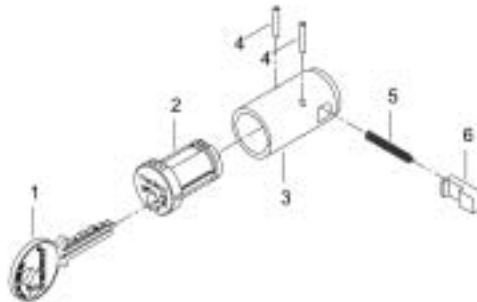
4 PIN SPRING BOLT T-HANDLE CYLINDER



ITEM	DESCRIPTION
1	Notched Key (Sold Separately)
2	Plug Assembly
3	Shell
4	Plug Retainer
5	Bolt Spring
6	Bolt

With enhanced security features, Medeco's 0950 series T-handle cylinders are for use in higher risk locations where the chance of physical attack is greater. With a solid steel bolt and reinforced shell, the 0950 is designed to resist would be thieves. Available in a 4 pin body style with either spring or deadbolt functions.

4 PIN SPRING BOLT, T-HANDLE CYLINDER, STEEL BOLT

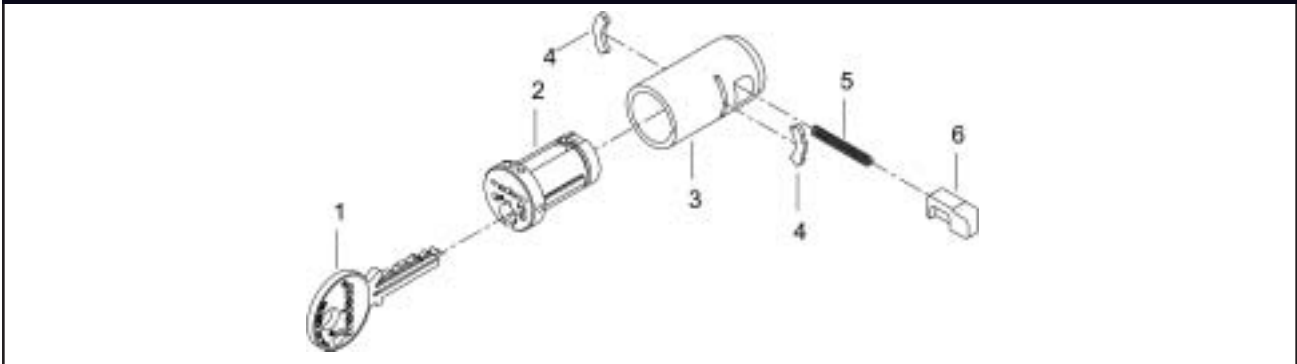


ITEM	DESCRIPTION
1	Notched Key (Sold Separately)
2	Plug Assembly
3	Shell
4	Plug Retainer
5	Bolt Spring
6	Bolt

Exploded View

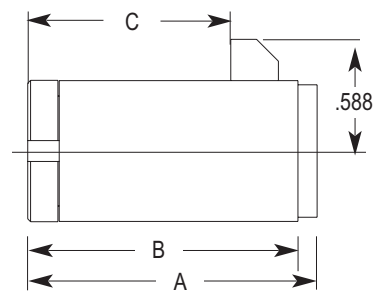
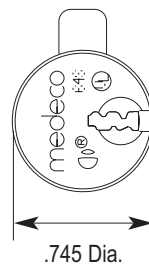
For locations where your property and profits are most vulnerable to theft and vandalism, Medeco's® 1050 series provides the most protection possible in a 3/4" T-handle cylinder. With a solid steel bolt and shell, the 1050 is designed to resist even the most severe forms of physical attack. Available in a 4 pin body style with either spring or deadbolt functions.

4 PIN SPRING BOLT, T-HANDLE CYLINDER, STEEL SHELL



ITEM	DESCRIPTION
1	Notched Key (Sold Separately)
2	Plug Assembly
3	Shell
4	Plug Retainer
5	Bolt Spring
6	Bolt

DIMENSIONS



Model #	Bolt Style	# of Pins	Bolt Construction	Shell Construction	Dimension A (in.)	Dimension B (in.)	Dimension C (in.)
0155	Spring						
0155C	Dead	5	Zinc	Zinc	1.640	1.395	1.315
0750E	Spring						
0750G	Dead	4	Zinc	Zinc	1.525	1.425	1.070
0950	Spring						
0952	Dead	4	Steel	Zinc	1.525	1.425	1.070
1050	Spring						
1051	Dead	4	Steel	Steel	1.525	1.425	1.070