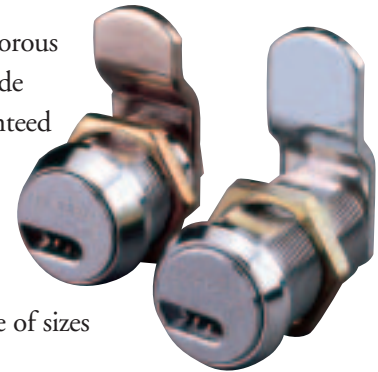




DuraCam® Cam Locks

Medeco's® DuraCam series of cam locks were specifically designed to meet the rigorous requirements of the gaming industry. With an 1/8" thick key cut on the broad side instead of on top, DuraCam offers one of the strongest keys in the market, guaranteed against breakage. No other lock manufacturer in the gaming industry can be compared with Medeco's 30 year history of security and reliability. The strongest key combined with patented key programs that prevent the unauthorized duplication of keys make Medeco the obvious choice for gaming professionals. Keyed alike or different, Medeco's DuraCam series cam locks offer a complete line of sizes and functions to meet your specific gaming needs.



Medeco's unique elevate and rotate pin tumbler design provides double locking action, making cylinders virtually pick proof. All Medeco Biaxial keys and cylinders are protected under patent, trademark, and copyright laws. Biaxial keys may only be duplicated by Medeco or by an authorized Medeco Service Center, and only at your request.



Benefits:

- ▼ DuraCam offers one of the strongest keys in the gaming industry, guaranteed against breakage.
- ▼ All Medeco cylinders are constructed of durable machined brass components, designed to last the life of your equipment.
- ▼ Unique elevating and rotating tumbler pin system is virtually pick proof.
- ▼ Patented Biaxial keys may only be duplicated by Medeco or authorized Medeco Service Center, and only at your request.
- ▼ Medeco cam locks are completely serviceable, and can be re-keyed in case of lost or stolen keys
- ▼ Locks can be keyed alike or different, depending on your specific needs.
- ▼ Available in all standard lengths, key retained or not, one or two flat, and various rotations.

Applications:

Medeco's DuraCam series of cam locks are specifically designed for 3/4" diameter slot lock and other casino equipment applications where key breakage is the major lock related issue.

Warranty:

Warranted for two years against manufacturer's defects. See Medeco limited Warranty for full details.

Technical Information:

Four and five pin models available depending on size.

Available in standard sizes from 5/8" to 1 1/2". One and two flat models available, key retaining or not.

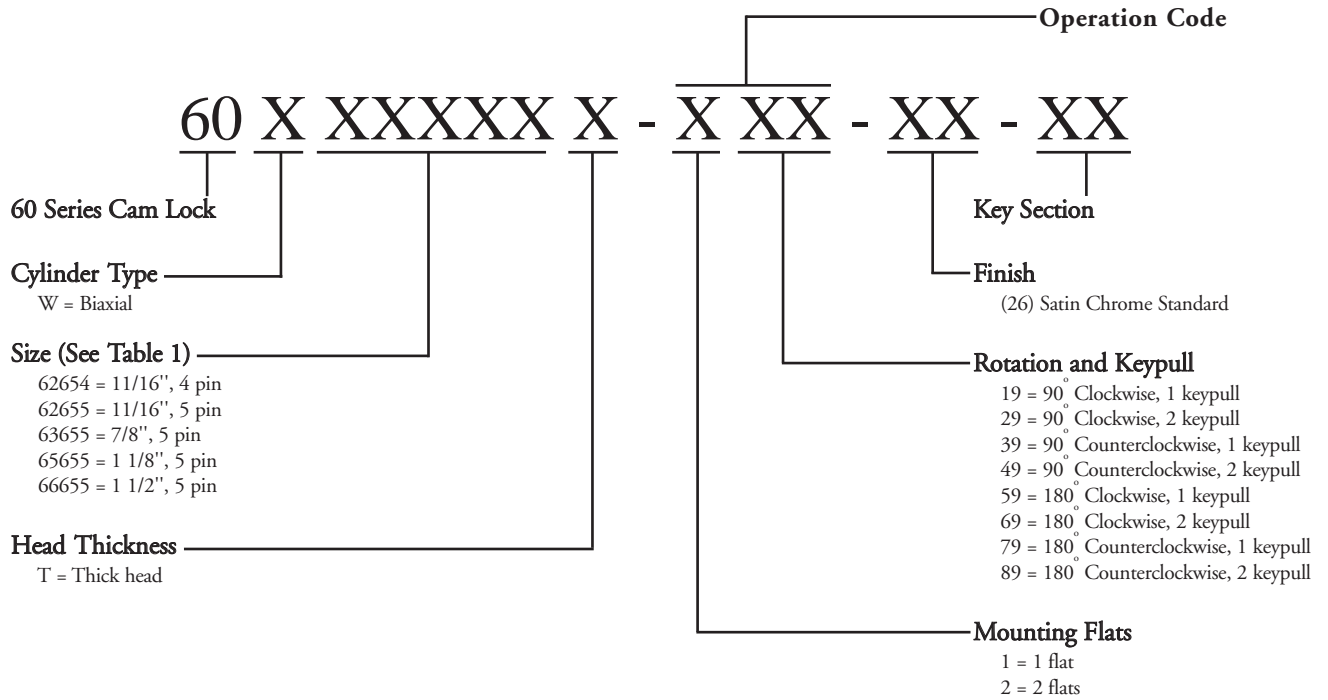
Clockwise or counterclockwise rotation, 90° or 180°. Keyed alike or keyed different.

Finishes:

26 Satin chrome finish standard. Other finishes available, depending on volume.

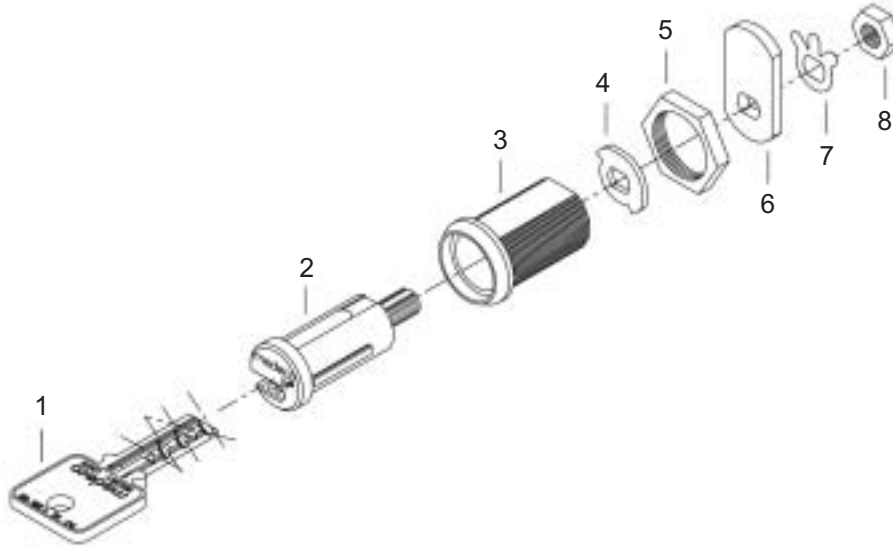
Ordering Instructions

DuraCam® gaming locks are only sold through authorized Medeco® gaming service centers and distributors. Medeco 60 series cam locks are sold less keys. Specify number of keys required under separate line item. Cams sold separately, reference cams section to select proper cam type.



Exploded View

DURACAM GAMING LOCK

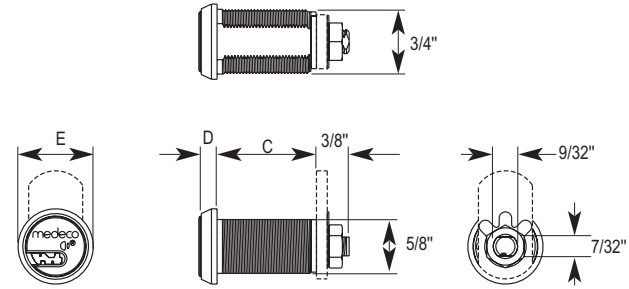


ITEM	DESCRIPTION
1	Key
2	Plug Assembly
3	Shell
4	Stop
5	3/4" Nut
6	Cam
7	Tab Washer
8	9/32" Nut

Technical Drawings

DURACAM GAMING LOCK SIZES

C = Body Length E = Head Diameter
 D = Head Length



Size Code	# of Pins	C	D	E
62654	4	11/16"	5/16"	7/8"
62655	5	11/16"	7/16"	1"
63655	5	7/8"	5/16"	7/8"
65655	5	1 1/8"	3/16"	7/8"
66655	5	1 1/2"	3/16"	7/8"

Standard sizes described. Consult Medeco® customer service for variations not described.

DURACAM GAMING LOCK MOUNTING DETAIL AND OPERATION CODES

Figure 1 - Single D Mounting

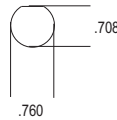


Figure 2 - Double D Mounting

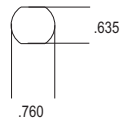
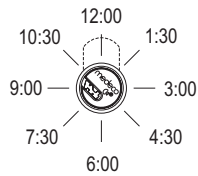
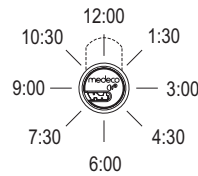
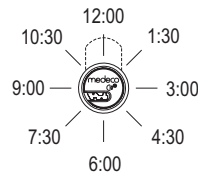
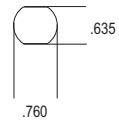


Figure 3 - Double D Mounting



Cylinders shown in locked position.

Operation Code	# of Flats	Reference	Direction	Travel	Rotation		Keypulls
					From	To	
119	1	Figure 1	Clockwise	90°	9:00	12:00	1
129	1	Figure 1	Clockwise	90°	9:00	12:00	2
139	1	Figure 1	Counterclockwise	90°	9:00	6:00	1
149	1	Figure 1	Counterclockwise	90°	12:00	9:00	2
159	1	Figure 1	Clockwise	180°	9:00	3:00	1
169	1	Figure 1	Clockwise	180°	9:00	3:00	2
179	1	Figure 1	Counterclockwise	180°	9:00	3:00	1
189	1	Figure 1	Counterclockwise	180°	9:00	3:00	2
219	2	Figure 2	Clockwise	90°	9:00	12:00	1
229	2	Figure 3	Clockwise	90°	10:30	1:30	2
239	2	Figure 2	Counterclockwise	90°	9:00	6:00	1
249	2	Figure 3	Counterclockwise	90°	1:30	10:30	2
259	2	Figure 2	Clockwise	180°	9:00	3:00	1
269	2	Figure 2	Clockwise	180°	9:00	3:00	2
279	2	Figure 2	Counterclockwise	180°	9:00	3:00	1
289	2	Figure 2	Counterclockwise	180°	9:00	3:00	2